

BERNER Seal Safe®



- ▶ For toxic and infectious waste
- ▶ Increases the safety at work
- ▶ Aerosol-tight sealing
- ▶ Safe transport
- ▶ Mobile and hygienic



Made in Germany



BERNER INTERNATIONAL GMBH
Mühlenkamp 6 D-25337 Elmshorn
Postfach 245 D-25302 Elmshorn
Germany

☎ +49/(0)4121/4356-0
☎ +49/(0)4121/4356-20
✉ info@berner-international.de
🌐 www.berner-international.eu

BERNER
safety systems
made in Germany

Waste Sealing Unit

BERNER Seal Safe®

The **BERNER SealSafe®** waste sealing unit is based upon an extraordinary and proven packaging concept. The device is designed for the storing away and aerosol-tight sealing up of waste that needs to be controlled or tightly controlled¹⁾. The **BERNER SealSafe®** waste sealing unit increases the safety at work in environments contaminated by hazardous (e.g. infectious or toxic) waste.

1) In compliance with § 41 of the German Recycling and Waste Management Act (KrW-/AbfG)

Use

BERNER SealSafe has been designed and developed to

- safely collect and seal waste produced by the medical care and research of human and veterinary medicine,
- avoid or reduce unpleasant smell,
- improve laboratory hygiene,
- avoid the escape of aerosols, particularly when opening and closing waste containers,
- serve as a means of intermediate waste disposal,
- enhance the safe transportation of waste through your own rooms, e.g. to a central collecting point or autoclave,
- conveniently facilitate the safe work at biological safety cabinets or cytostatic safety cabinets.

Applications

BERNER SealSafe is deployed in health care facilities, e.g.

- by pharmacies for the production of CMR²⁾ drugs: cytostatic drugs, virustatic drugs, etc.,
- by research laboratories and institutions in the field of human and veterinary medicine,
- in hospitals, e.g.: operating theatres, patient care, application of CMR drugs to hospitalised or outpatients,
- in private practices, e.g. oncologists,
- by dialysing practices,
- in pathological laboratories,
- in microbiological laboratories,
- in chemical laboratories,
- in genetic engineering facilities.

2) Cancerogenic, Mutagenic, Reproduction inhibiting

Design and Functionality

The **BERNER SealSafe** waste sealing unit consists of a stainless steel housing into which the electronic and mechanical components are installed. The chromium-plated base frame can be set to four different heights to hold hazardous waste containers³⁾ up to a volume of 60 litres. The four castor wheels of the base frame turn the device into a highly mobile unit.

The housing contains specially folded tubular plastic foil which threads through the filler funnel, alongside the sealing implement and conveyor wheels and into the hazardous waste container.

BERNER SealSafe is conveniently operated by a pedal switch that starts the sealing process once the waste has been filled in. After sealing, the tubular foil is automatically forwarded by a certain length which can be adjusted by means of the pedal switch if and when the case requires.

The waste is thus sealed up into packages which are collected through the hazardous waste container underneath the device until the specified volume of waste has been collected. Inserting new tubular foil is easy: just fold up the lid of the housing and thread in the new foil across the filler funnel and in between the conveyor wheels.

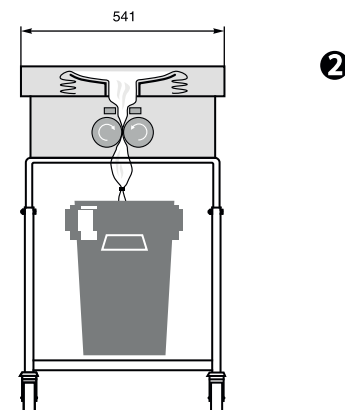
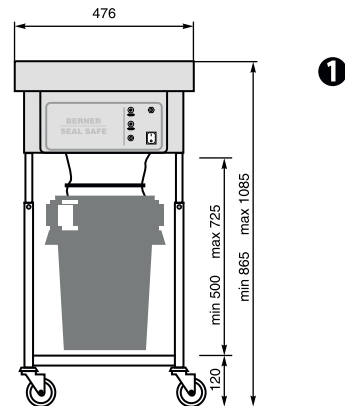
3) Not delivered with the sealing unit and not available from us.

Quality and Security

The **BERNER SealSafe** waste sealing unit is made in Germany. It warrants top-level quality, functionality and security:

- Quality management system certified to comply with DIN EN ISO 9001 (TÜV)
- Regular TÜV audits and inspections of the production facilities
- TÜV type test (GS mark)
- CE marking
- **BERNER** safety check
- Made in Germany

BERNER SealSafe® – Dimensions (mm) and Schematic



BERNER SealSafe® – Specifications

General information

Manufacturer	BERNER INT. GMBH
Unit	Laboratory device
Model	BERNER SealSafe®
Type	DIN EN 61010-1
Certificate	TÜV GS mark
Marking	CE
Production	DIN EN ISO 9001

Electrical specifications

Rated voltage	230 V AC
Rated frequency	50 Hz
Rated current	0.57 A
Rated power	130 W
Class	I
Connection	Plug

Mechanical specifications

Dimensions	See figures 1+2
Weight	32 kg

Item Numbers

BERNER SealSafe®	052000
Tubular foil	1000